

Reference 159 mm (6 1/4") = 515 FEET.

THEN 1 mm = 3.24 FEET.

OR = 1" EQUALS 82.4 FEET. (27.4667 yards)

Now 750 METRES (820.2 yards)

(DISTANCE BETWEEN SHIPS WHEN TORPEDO WAS FIRED)

(NOTE! ON THIS SCALE SHOWN THE SYDNEY WAS ONLY 30" AWAY)

1 yard = .9144 metre)  
1.0936 yds = 1 METRE

156 metres  
156,000 mm  
÷ 987 = 159 mm  
length of ship OK.

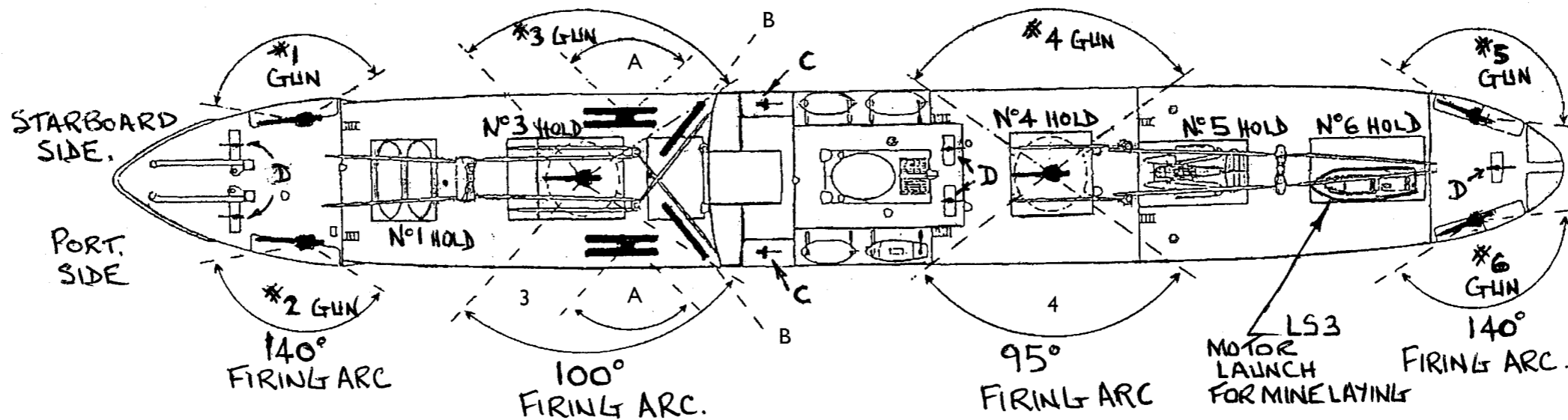
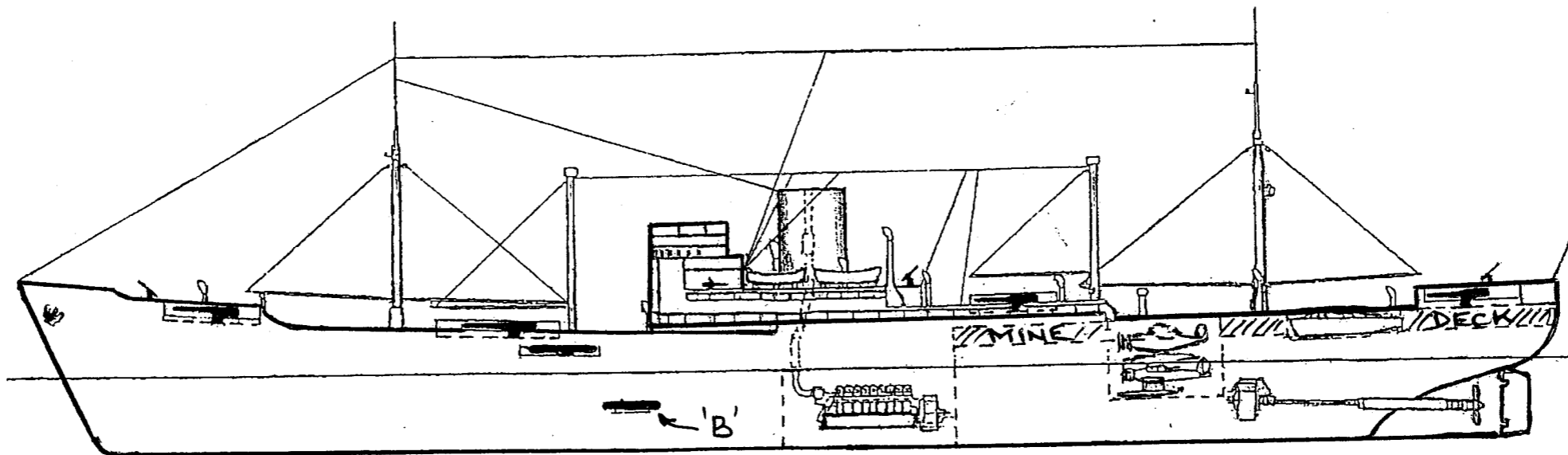
515 feet long.  
6180 inches = 988.8  
= 6.25 miles OK

Scale distance = 750 metres  
÷ 987:1 = 759 mm OR 29.9 miles

813 feet  
820 yds  
2460 feet  
29520 inches 295  
÷ 988.8 = 29.854"



0x21581374  
HSK Kormoran. Arrangement of armament and arcs of fire.



LEGEND

- 1 No.1 15-CENTIMETRE GUN
- 2 No.2 15-CENTIMETRE GUN
- 3 No.3 15-CENTIMETRE GUN
- 4 No.4 15-CENTIMETRE GUN

- 5 No.5 15-CENTIMETRE GUN
- 6 No.6 15-CENTIMETRE GUN

- A ABOVE WATER TORPEDO TUBES 90° ARC + FIVE HEAVY M/C GUN.
- B BELOW WATER TORPEDO TUBES (FIXED) + GUNS TAKEN FROM CAPTURED SHIP.
- C 37 mm ANTI-TANK GUNS, ONE ON EACH SIDE.
- D 20mm A/A GUNS

SHIPS SPECIFICATIONS. 515 FEET LONG & 66 FEET WIDE.

ENGINE - FOUR POWERFUL DIESEL ENGINES WITH A TOTAL CAPACITY OF 14,000 HP. (9 CYLINDER ENGINES)  
PLUS AN AUXILIARY PLANT OF TWO SMALL DIESEL ENGINES/GENERATORS IN HOLD NO. 3.  
TWIN DECK (CONCEALED) TORPEDO TUBES - 90° FIRING ARC.