

APPENDIX A11 – PORTER SUPER COMPACTOR No. R200-1

1. Roller Description	200t Porter Super Compactor
2. Previous Reference No.	P56H002

3. Location	RAAF Pearce
4. Local custodian	Mr Owen Douglas, Tel: (08) 9571 7520

5. Body condition	Orange in fair condition with paint partly faded, chipped of in parts and requires repainting. Some surface rust.
6. Structural condition	Reasonable condition, welds satisfactory from visual inspection. Work required on axles and towing device. Lifting eyes on weights rusted, some welds broken.
7. Roller tyres	4 x Goodyear All Weather Earth Movers (Model No 5P7F108), 30.00-33, 60 ply rating 5° taper rims
8. Photographs (December 2002)	



End view



Side view



Spare wheel



Top view of ballast boxes



Tow hitch



Weights



Weights



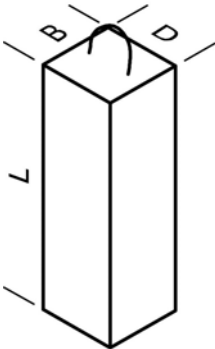
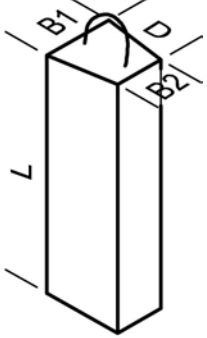
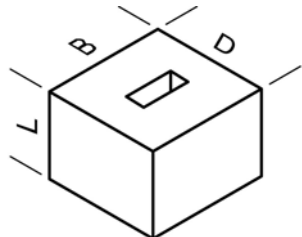
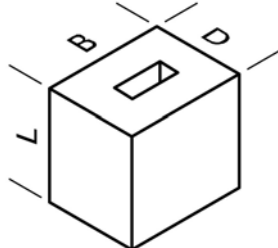
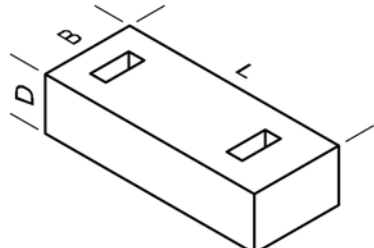
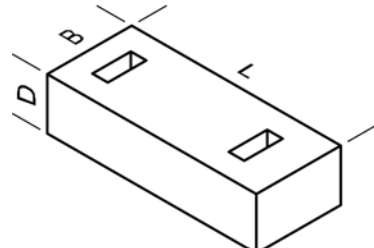
Weights

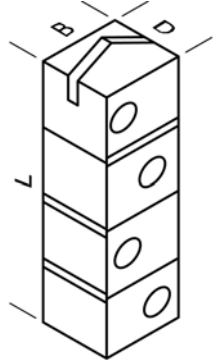
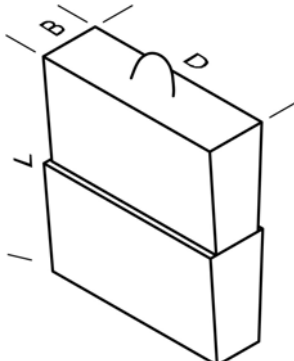
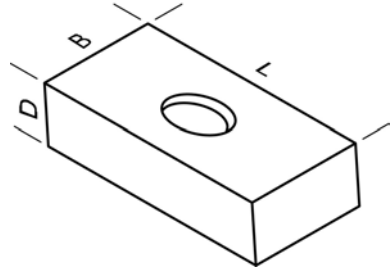


Weights

9.	Ancillary equipment	Nil
10.	Spare parts	3 spare tyres in satisfactory condition

11. Weights

Type 3a Yellow, White, Grey, Green					Type 3b Yellow, White, Grey, Green					
										
L (mm)	B (mm)	D (mm)	Mass (kg)	No. of units	L (mm)	B1 (mm)	B2 (mm)	D (mm)	Mass (kg)	No. of units
920	230	230	336	48	920	250	205	230	Not Known	4
Type 4 Green					Type 5 Blue, Green					
										
L (mm)	B (mm)	D (mm)	Mass (kg)	No. of units	L (mm)	B (mm)	D (mm)	Mass (kg)	No. of units	
400	425	305	Not Known	15-20	395	420	335	Not Known	15-20	
Type 7a Yellow, White, Green					Type 7b Yellow, White, Green					
										
L (mm)	B (mm)	D (mm)	Mass (kg)	No. of units	L (mm)	B (mm)	D (mm)	Mass (kg)	No. of units	
940	380	250	Not Known	1	955	385	255	Not Known	Not Known	

Type 8 Yellow, White, Grey, Green					Type 9 Blue, Green				
									
L (mm)	B (mm)	D (mm)	Mass (kg)	No. of units	L (mm)	B (mm)	D (mm)	Mass (kg)	No. of units
1155	470	385	Not Known	20	863	235	710	Not Known	18
Type 10 Green									
									
L (mm)	B (mm)	D (mm)	Mass (kg)	No. of units					
1000	500	280	Not Known	12					