

## INFANTRY COMBAT BADGE

### Description

1. The Infantry Combat Badge (ICB) is a bronze badge which consists of a wreath surrounding a bayonet. The badge is dull in appearance and is not to be polished. It is shown in [figure 8A-1](#).

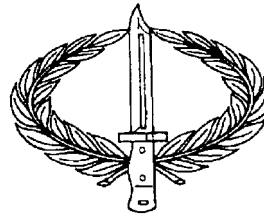


Figure 8A-1: Infantry Combat Badge

### Eligibility

2. A member qualified in accordance with the Defence Instruction (Army) PERS 97-5—*Infantry Combat Badge* is entitled to wear the ICB.

### Wearing the badge

3. The full size ICB is worn on all orders of ceremonial dress, general duty dress and on Mess Dress White Shirt. It is worn in miniature form on Mess Dress and Mess Dress White Jacket. Approval has been granted for the wearing of the ICB by entitled members and ex-members of the Australian Army on appropriate occasions when civilian clothing and medals are worn. The badge may be worn on the uniform of other uniformed organisations, subject to the approval of those organisations.

4. The ICB is not worn on sweaters, raincoat, overcoat or Disruptive Pattern Combat Uniform.

### Positioning the badge

5. The badge is worn with the bayonet pointing upwards.

6. The badge is worn on the left breast, placed centrally 1 cm above medal ribbons or medals as shown in [figure 8A-2](#).

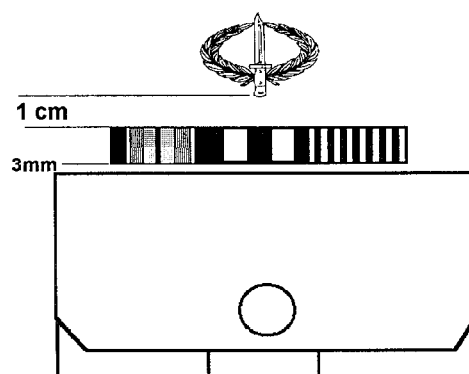
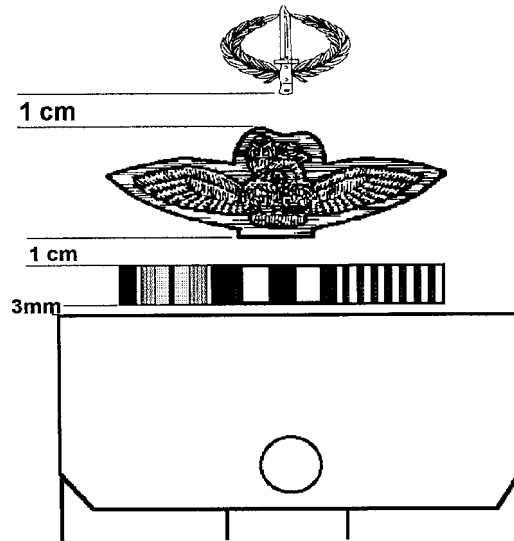


Figure 8A-2: Wearing Infantry Combat Badge with ribbons

7. If other badges are worn on the left breast, such as aircrew or parachute jump instructor, the ICB is placed 1 cm above the other badge as shown in [figure 8A-3](#).



**Figure 8A-3: Infantry Combat Badge with aircrew badge**

**8.** On Mess Dress and Mess Dress White Jacket the miniature form of the badge is worn centrally on the left lapel above miniature medals. Part 2, [chapter 3—'Mess Dress'](#) gives details of the positioning of the miniature ICB on Mess Dress and Mess Dress White Jacket. The full size badge is worn on Mess Dress White Shirt and patrol blue and white uniforms.